

# Spyder 3 GigE Vision

Dual Line Scan Cameras



**Spyder3 GigE Vision**

## Key Features

- Broadband responsivity up to 2064 DN(nJ/cm<sup>2</sup>) @ 0dB gain
- GigE Vision interface
- High or low speed (40 or 80 MHz)
- Up to 68 kHz line rates
- Data transmission up to 100m

## Programmability

- Graphical user interface
- Programmable gain, offset, exposure, line rates, trigger mode, and camera diagnostics
- Selectable high or low sensitivity mode
- Flat field correction

## Typical Applications

- FPD inspection
- Pick-and-place
- Container inspection
- Wood/tile/steel inspection
- 100% print inspection
- Postal sorting
- Glass bottle inspection
- Industrial metrology
- Food inspection
- Web inspection

## Overview

# 3x the responsivity of its predecessor and a Gigabit Ethernet interface.

The Spyder 3 GigE Vision (GEV) camera is DALSA's latest GigE camera. The GEV interface eliminates the need for a frame grabber, resulting in significant system cost savings. The Spyder 3 GEV is also DALSA's latest dual line scan camera. When operating in high sensitivity (dual line scan) mode, the Spyder 3 GEV has 3x the responsivity of the Spyder 2 line scan camera. At its core is DALSA's latest dual line scan technology that achieves unprecedented responsivity and throughput rates of 80 megapixels per second. The Spyder 3 GEV is fully programmable, offering precise control over key performance variables such as gain and offset.

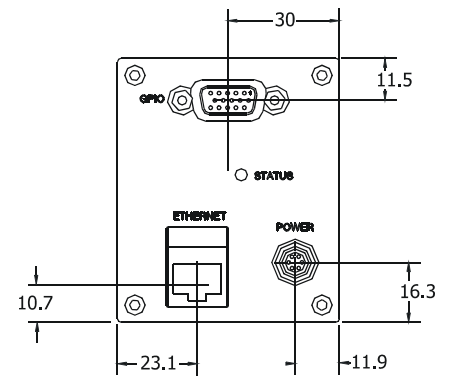
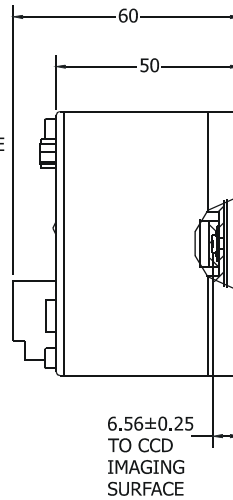
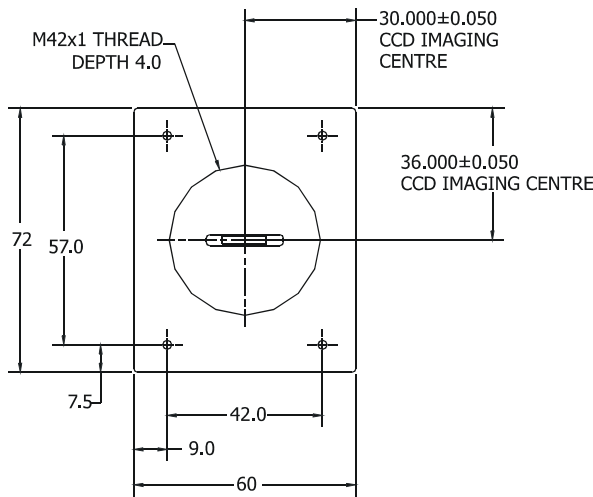
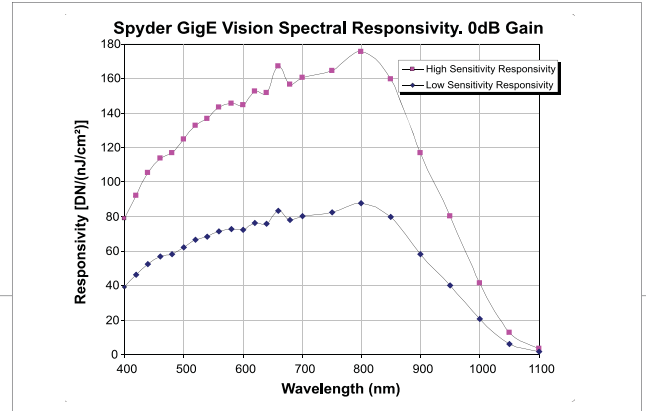
## Specifications

Resolution	1024 / 2048 / 4096 (pending)
Data Rate	80 / 40 megapixels/second
Max. Line/Frame Rate	68 / 36/ 18 kHz
Pixel Size	14 $\mu$ m / 10 $\mu$ m (4k)
Data Format	8, 12 bit
Output	Gigabit Ethernet
Lens Mount	M42 x 1, C, F mount
Responsivity	Up to 2064 DN/(nJ/cm <sup>2</sup> ) @ 0dB
Dynamic Range	Up to 1400 : 1
Nominal Gain Range	$\pm$ 10 dB
Size	72 (h) x 60 (w) x 50 (l) mm
Mass	<300 g
Operating Temp	0 °C to 50 °C
Power Supply	12 V to 15 V
Power Dissipation	<8.5 W
Regulatory Compliance	CE, RoHS
Control	RJ-45, 15-pin mini-DSUB
Data	RJ-45
Power	Hirose 6 HR10 pin
Example Part Number	SG-11-02K80-00-R

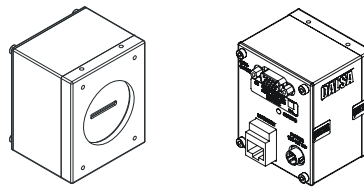
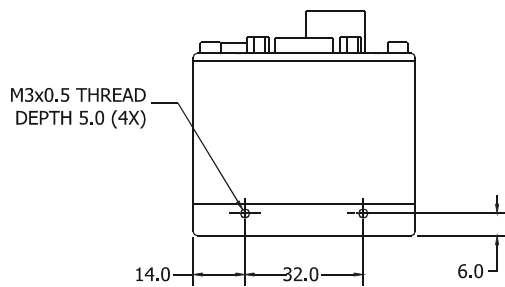
# Spyder 3 GigE Vision

## Dual Line Scan Cameras

The Spyder 3 GigE Vision sports 3x the responsivity of the Spyder 2 while maintaining the same dynamic range. The GigE interface eliminates the frame grabber, reducing system costs.



Units : mm



[www.dalsa.com](http://www.dalsa.com)

### Americas

Boston, USA  
Tel: +1 978-670-2000  
sales.americas@dalsa.com

### Europe

Munich, Germany  
Tel: +49 8142-46770  
sales.europe@dalsa.com

### Asia Pacific

Tokyo, Japan  
+81 3-5960-6353  
sales.asia@dalsa.com

DALSA is an international leader in digital imaging and semiconductors and has its corporate offices in Waterloo, Ontario, Canada.

All trademarks are registered by their respective companies. DALSA reserves the right to make changes at any time without notice. © DALSA 2008. spyder\_3\_gige\_102108

