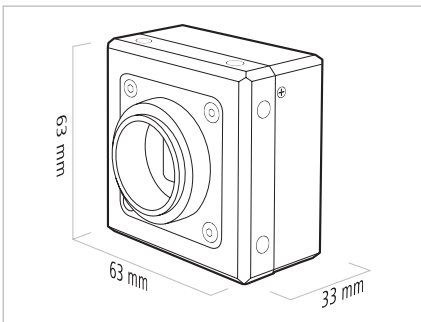


HXC13

Facts and Data

Digital Monochrome High Speed Camera, 1.3 Megapixel, CameraLink®



Baumer Optronic GmbH
 Badstrasse 30
 DE-01454 Radeberg, Germany
 Phone +49 (0)3528 4386 0
 Fax +49 (0)3528 4386 86
 sales@baumeroptronic.com
 www.baumer.com/cameras

Sensor Information

Model Name	LUPA-1300-2
Type	1.4" high speed CMOS
Native Resolution	1280 × 1024 pixels
Exposure Time	2 µsec ... 1 sec

Acquisition Formats

Image Formats		Base		
0	Base	640 × 480 pixels		max. 405.0 fps
1	Base	1280 × 1024 pixels		max. 110.0 fps
2	Base	640 × 480 pixels		max. 405.0 fps
3	Base	1280 × 1024 pixels		max. 110.0 fps
4	Medium	640 × 480 pixels		max. 811.0 fps
5	Medium	1280 × 1024 pixels		max. 226.0 fps
6	Full	640 × 480 pixels		max. 1599.0 fps
7	Full	1280 × 1024 pixels		max. 432.0 fps

Pixel Formats	Mono8, Mono10
Partial Scan	True Partial Scan, Region of Interest (ROI) arbitrary

Image Pre-processing

Analog Controls	Gain (Digital 1-4 times, 1/1024 steps), Offset (0 ... 1023 LSB 14 bit)
Color Modes	Mono

Camera Features

Synchronization	Free running, Trigger
Trigger Sources	FrameGrabber
Digital output	Strobe, opto decoupled

Interfaces and Connectors

Data Interface	CameraLink® Base and Full, Transfer rate up to 680 MBytes/sec 2x Connector MDR-26
Process / Power Interface	6-pin Hirose

Mechanical Data

Housing	Aluminum, IP40
Lens Mount	C-Mount
Dimensions	63 × 63 × 46 mm
Weight	247 g

Electrical Data

Power Supply	8 ... 24 V DC
Power Consumption	approx. 5 Watts

Environmental Data

Operating Temperature	+5 °C ... +50 °C (+41 °F ... +121 °F)
Humidity	10% ... 90% non condensing