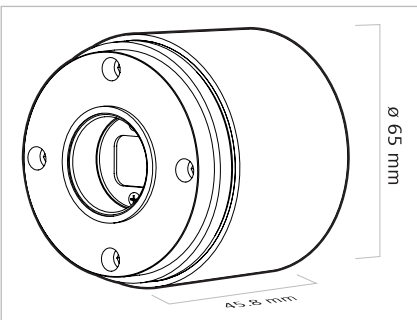


# TXG13-I7 Facts and Data



Baumer Optronic GmbH  
 Badstrasse 30  
 DE-01454 Radeberg, Germany  
 Phone +49 (0)3528 4386 0  
 Fax +49 (0)3528 4386 86  
 sales@baumeroptronic.com  
 www.baumergroup.com/cameras

## Digital Monochrome Matrix Camera, 1.4 Megapixels, Gigabit Ethernet with IP67-rated Enclosure

### Sensor Information

Model Name	SONY® ICX267
Type	1/2" interline progressive scan CCD
Native Resolution	1392 × 1040 pixels
Exposure Time	4 µsec ... 60 sec

### Acquisition Formats

Image Formats	Full Frame HQ	1392 × 1040 pixels	max. 10.0 fps
	Full Frame	1392 × 1040 pixels	max. 20.0 fps
	Binning 2x2 HQ	696 × 520 pixels	max. 19.0 fps
	Binning 2x2	696 × 520 pixels	max. 39.0 fps
	Binning 1x2 HQ	1392 × 520 pixels	max. 19.0 fps
	Binning 1x2	1392 × 520 pixels	max. 39.0 fps
	Binning 2x1 HQ	696 × 1040 pixels	max. 10.0 fps
	Binning 2x1	696 × 1040 pixels	max. 20.0 fps
Pixel Formats	Mono8, Mono12, Mono12 Packed		
Partial Scan	True Partial Scan, Region of Interest (ROI) arbitrary		

### Image Pre-processing

Analog Controls	Gain (0 ... 20 dB), Offset (0 ... 255 LSB   12 bit)
Color Models	Mono

### Camera Features

Internal Buffer	32 MBytes (max. 7 images)
Synchronization	Free running, Trigger, Sequencer
Trigger Sources	Hardware, Software, ActionCommand
Trigger Delay	0 ... 2 sec, Tracking and buffering of up to 512 trigger signals
Sequencer	Automated control for series of images using different sets of parameters
Sequencer Characteristics	up to 256 sets of parameters, up to 4 billion loop passes, up to 4 billion repetitions of sets of parameters, up to 4 billion images per trigger event
Sequencer Parameters	Exposure Time, Gain Factor
Digital I/Os	1 input line (with Debouncer), 1 output line

### Interfaces and Connectors

Data Interface	Gigabit Ethernet, Transfer rate up to 1000 Mb/s/sec Connector: M12 / 8 pins
Process Interface	M8 / 4 pins
Power Interface	M8 / 3 pins

### Mechanical Data

Housing	Aluminum, IP67
Lens Mount	C-Mount
Dimensions	ø 65 mm × 50 mm
Weight	< 360 g

### Electrical Data

Power Supply	8 ... 30 V DC
Power Consumption	approx. 4 Watts

### Environmental Data

Operating Temperature	+5 °C ... +50 °C (+41 °F ... +121 °F)
Humidity	10% ... 90% non condensing