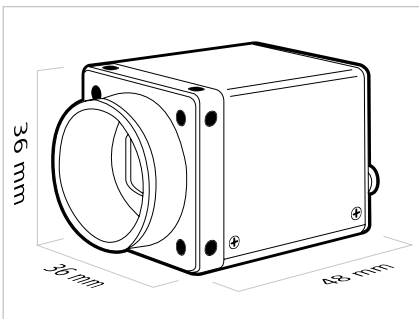


TXG14

Facts and Data

Digital Monochrome Matrix Camera, 1.4 Megapixels, Gigabit Ethernet



GIG
VISION
GEN<i>i>CAM



Baumer Optronic GmbH
Badstrasse 30
DE-01454 Radeberg, Germany
Phone +49 (0)3528 4386 0
Fax +49 (0)3528 4386 86
sales@baumeroptronic.com
www.baumer.com/cameras

Sensor Information

| | |
|-------------------|-------------------------------------|
| Model Name | SONY® ICX285 |
| Type | 2/3" interline progressive scan CCD |
| Native Resolution | 1392 × 1040 pixels |
| Exposure Time | 4 μsec ... 60 sec |

Acquisition Formats

| | | | |
|---------------|---|--------------------|---------------|
| Image Formats | Full Frame HQ | 1392 × 1040 pixels | max. 10.0 fps |
| | Full Frame | 1392 × 1040 pixels | max. 20.0 fps |
| | Binning 2x2 HQ | 696 × 520 pixels | max. 19.0 fps |
| | Binning 2x2 | 696 × 520 pixels | max. 39.0 fps |
| | Binning 1x2 HQ | 1392 × 520 pixels | max. 19.0 fps |
| | Binning 1x2 | 1392 × 520 pixels | max. 39.0 fps |
| | Binning 2x1 HQ | 696 × 1040 pixels | max. 10.0 fps |
| Binning 2x1 | 696 × 1040 pixels | max. 20.0 fps | |
| Pixel Formats | Mono8, Mono12, Mono12 Packed | | |
| Partial Scan | True Partial Scan, Region of Interest (ROI) arbitrary | | |

Image Pre-processing

| | |
|-----------------|---|
| Analog Controls | Gain (0 ... 20 dB), Offset (0 ... 255 LSB 12 bit) |
| Color Models | Mono |

Camera Features

| | |
|---------------------------|--|
| Internal Buffer | 32 MBytes (max. 7 images) |
| Synchronization | Free running, Trigger, Sequencer |
| Trigger Sources | Hardware, Software, ActionCommand |
| Trigger Delay | 0 ... 2 sec, Tracking and buffering of up to 512 trigger signals |
| Sequencer | Automated control for series of images using different sets of parameters |
| Sequencer Characteristics | up to 256 sets of parameters, up to 4 billion loop passes, up to 4 billion repetitions of sets of parameters, up to 4 billion images per trigger event |
| Sequencer Parameters | Exposure Time, Gain Factor |
| Digital I/Os | 1 input line (with Debouncer), 1 output line |

Interfaces and Connectors

| | |
|-------------------|--|
| Data Interface | Gigabit Ethernet, Transfer rate 1000 Mbits/sec Connector: 8P8C Modular Jack (RJ45), screw lock type |
| Process Interface | M8 / 4 pins |
| Power Interface | M8 / 3 pins |

Mechanical Data

| | |
|------------|-----------------|
| Housing | Aluminum, IP40 |
| Lens Mount | C-Mount |
| Dimensions | 36 × 36 × 48 mm |
| Weight | < 90 g |

Electrical Data

| | |
|-------------------|-----------------|
| Power Supply | 8 ... 30 V DC |
| Power Consumption | approx. 4 Watts |

Environmental Data

| | |
|-----------------------|---------------------------------------|
| Operating Temperature | +5 °C ... +50 °C (+41 °F ... +121 °F) |
| Humidity | 10% ... 90% non condensing |