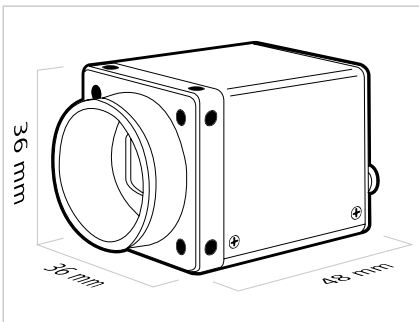


# TXG12

## Facts and Data

### Digital Monochrome Matrix Camera, 1.2 Megapixels, Gigabit Ethernet



**GIGAVISION**  
GEN<i>i</i>CAM



Baumer Optronic GmbH  
Badstrasse 30  
DE-01454 Radeberg, Germany  
Phone +49 (0)3528 4386 0  
Fax +49 (0)3528 4386 86  
sales@baumeroptronic.com  
www.baumer.com/cameras

#### Sensor Information

Model Name	SONY® ICX445
Type	1/3" interline progressive scan CCD
Native Resolution	1296 × 966 pixels
Exposure Time	4 µsec ... 60 sec

#### Acquisition Formats

Image Formats	Full Frame HQ	1296 × 966 pixels	max. 10.0 fps
	Full Frame	1296 × 966 pixels	max. 20.0 fps
	Binning 2x2 HQ	648 × 483 pixels	max. 19.0 fps
	Binning 2x2	648 × 483 pixels	max. 39.0 fps
	Binning 1x2 HQ	1296 × 483 pixels	max. 19.0 fps
	Binning 1x2	1296 × 483 pixels	max. 39.0 fps
	Binning 2x1 HQ	648 × 966 pixels	max. 10.0 fps
	Binning 2x1	648 × 966 pixels	max. 20.0 fps
Pixel Formats	Mono8, Mono12, Mono12 Packed		
Partial Scan	True Partial Scan, Region of Interest (ROI) arbitrary		

#### Image Pre-processing

Analog Controls	Gain (0 ... 20 dB), Offset (0 ... 255 LSB   12 bit)
Color Models	Mono

#### Camera Features

Internal Buffer	32 MBytes (max. 27 images)
Synchronization	Free running, Trigger, Sequencer
Trigger Sources	Hardware, Software, ActionCommand
Trigger Delay	0 ... 2 sec, Tracking and buffering of up to 512 trigger signals
Sequencer	Automated control for series of images using different sets of parameters
Sequencer Characteristics	up to 256 sets of parameters, up to 4 billion loop passes, up to 4 billion repetitions of sets of parameters, up to 4 billion images per trigger event
Sequencer Parameters	Exposure Time, Gain Factor
Digital I/Os	1 input line (with Debouncer), 1 output line

#### Interfaces and Connectors

Data Interface	Gigabit Ethernet, Transfer rate 1000 Mbits/sec Connector: 8P8C Modular Jack (RJ45), screw lock type
Process Interface	M8 / 4 pins
Power Interface	M8 / 3 pins

#### Mechanical Data

Housing	Aluminum, IP40
Lens Mount	C-Mount
Dimensions	36 × 36 × 48 mm
Weight	< 90 g

#### Electrical Data

Power Supply	8 ... 30 V DC
Power Consumption	TBD

#### Environmental Data

Operating Temperature	+5 °C ... +50 °C (+41 °F ... +121 °F)
Humidity	10% ... 90% non condensing