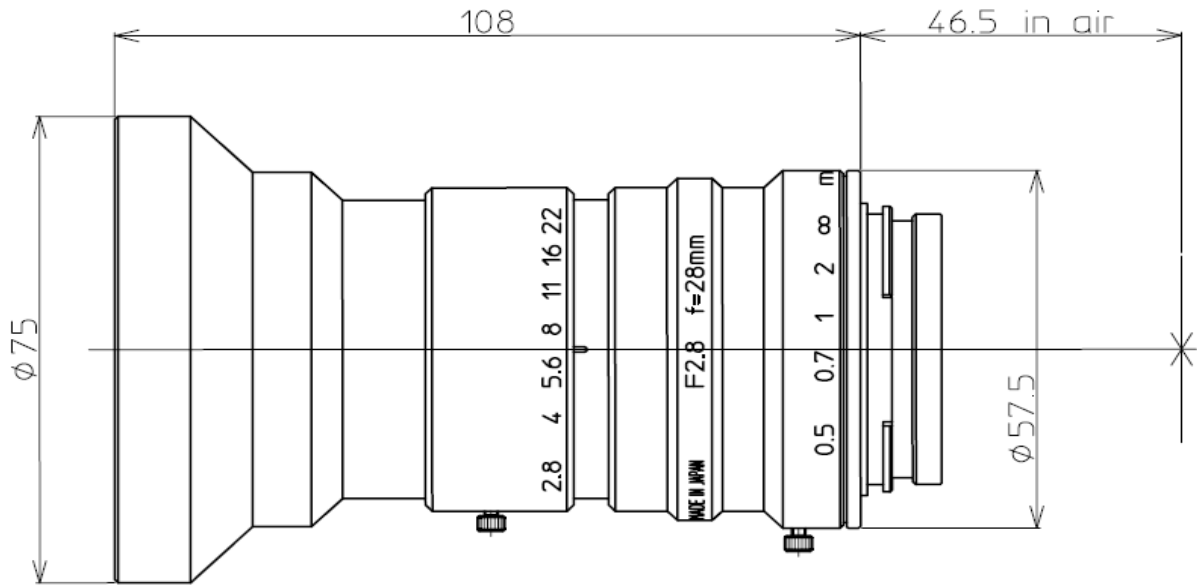




LM28CLS



Model	LM28CLS
Description	3CCD Color Line Scan Lens
Focal Length (mm)	28
Image Size (mm)	$\phi 30$
Iris Range (F-Stop)	F2.8~F22
Focusing Range (m)	0.5~ ∞
Iris Control	Manual
Focus Control	Manual
Distortion (TV)	-1.0%
Flange Back in Air (mm)	46.5
Mount	F-Mount
Filter Size (mm)	M72XP0.75
Size (mm)	$\phi 75 \times 108$
Weight (g)	482