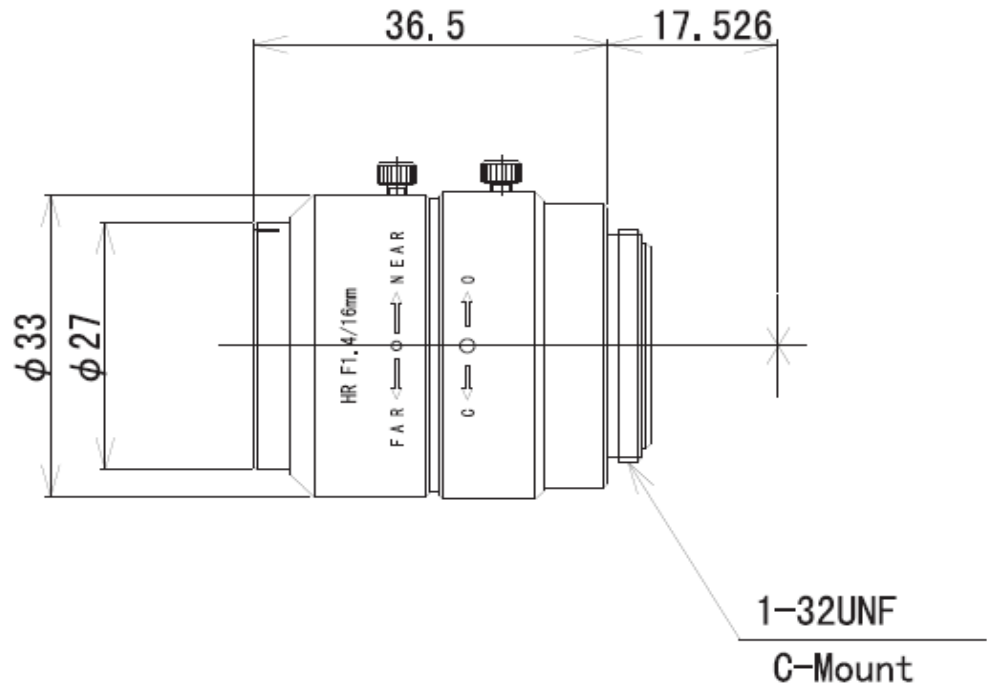




LM16JCM



Model	LM16JCM
Focal Length (mm)	16
Image Size (mm)	2/3" ($\phi 11$)
Iris Range (F-Stop)	F1.4~F16
Focusing Range (m)	0.2~ ∞
Shooting Range at M.O.D.	112.8 (H) X 84.4(V)
Angle of View 2/3"	30.0X22.7
1/2"	21.8X16.4
(degrees) 1/3"	16.4X12.3
Resolution (Center, Corner)	120lp/mm, 100lp/mm
Distortion (TV)	-0.05%
Flange Back in Air (mm)	17.526
Back Focus in Air (mm)	13.1
Front/Rear Effective Dia.	$\phi 20.2$ mm $\phi 15.5$ mm
Mount	C-Mount
Exit Pupil (mm)	340
Filter Size (mm)	M25.5XP0.5
Size (mm)	$\phi 33$ X36.5
Weight (g)	81
Temperature Range	-10°C ~ 45°C