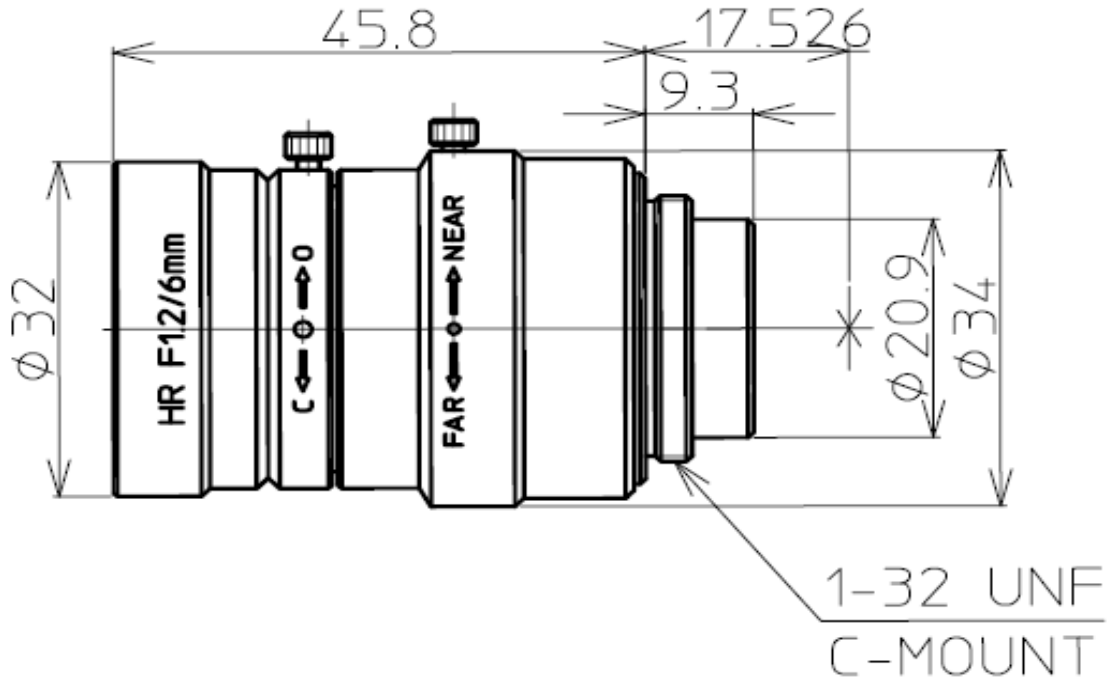




LM6NCM



Model	LM6NCM
Focal Length (mm)	6
Image Size (mm)	1/2" (Ø8)
Iris Range (F-Stop)	F1.2~Close
Focusing Range (m)	0.1~∞
Shooting Range at M.O.D.	148.2 (H) X 118.5 (V)
Angle of View	—
2/3"	
1/2"	56.2X43.5
(degrees) 1/3"	43.5X33.2
Resolution (Center, Corner)	120lp/mm, 100lp/mm
Distortion (TV)	-0.2%
Flange Back in Air (mm)	17.526
Back Focus in Air (mm)	8.2
Front/Rear Effective Dia.	Ø21.1mm Ø15.4mm
Mount	C-Mount
Exit Pupil (mm)	-112
Filter Size (mm)	M30.5XP0.5
Size (mm)	Ø34X45.8
Weight (g)	100
Temperature Range	-10°C ~ 45°C