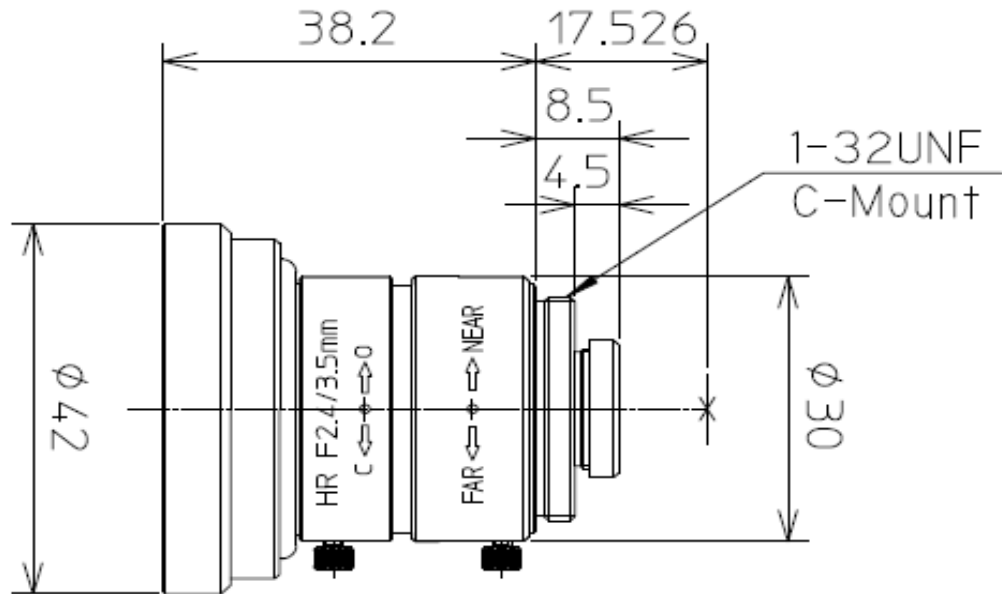




LM3NCM



| | |
|-----------------------------|--------------------|
| Model | LM3NCM |
| Focal Length (mm) | 3.5 |
| Image Size (mm) | 1/2" ($\phi 8$) |
| Iris Range (F-Stop) | F2.4~F14 |
| Focusing Range (m) | 0.1~ ∞ |
| Iris Control | Manual |
| Focus Control | Manual |
| Shooting Range at M.O.D. | 201 (H) X 151 (V) |
| Angle of View (degrees) | — |
| 2/3" | 82.4X66.9 |
| 1/2" | 66.9X52.7 |
| 1/3" | — |
| Resolution (Center, Corner) | 120lp/mm, 100lp/mm |
| Distortion (TV) | 0.40% |
| Back Focus in Air (mm) | 9.7 |
| Mount | C-Mount |
| Filter Size (mm) | M40.5XP0.5 |
| Size (mm) | $\phi 42$ X38.2 |
| Weight (g) | 75 |
| Temperature Range | -10°C ~ 45°C |