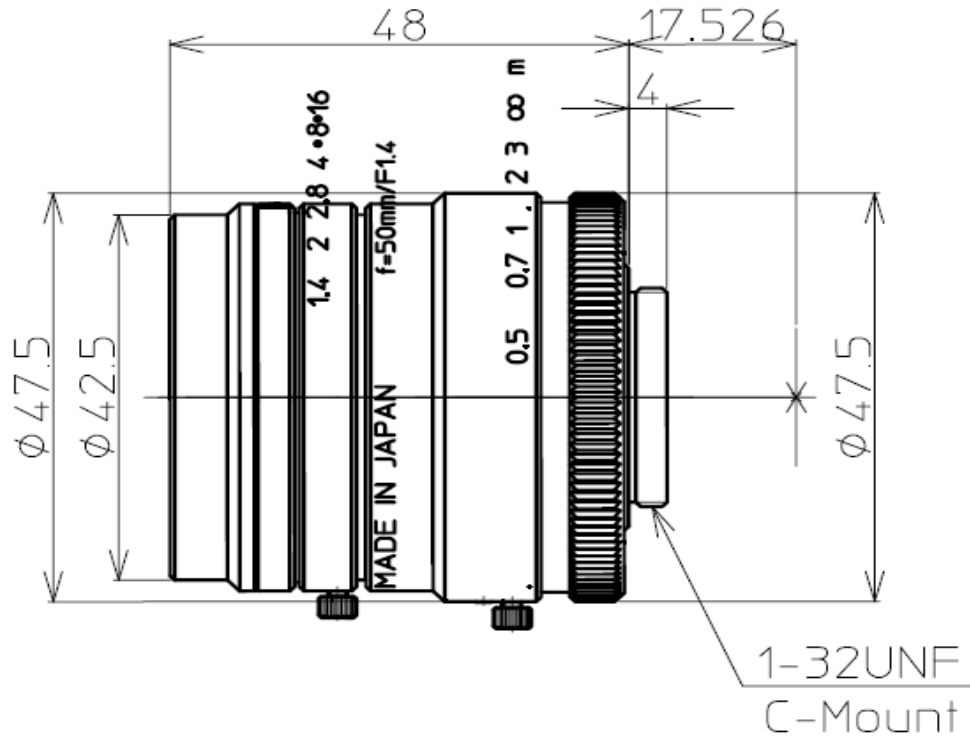




# LM50HC



Model	LM50HC
Focal Length (mm)	50
Image Size (mm)	1" (Ø16)
Iris Range (F-Stop)	F1.4~F16
Focusing Range (m)	0.5~∞
Angle of View (degrees)	1" 14.5X10.8 2/3" 10.0X7.54 1/2" 7.3X5.4
Resolution (Center, Corner)	120lp/mm, 80lp/mm
Distortion (TV)	-0.05%
Flange Back in Air (mm)	17.526
Back Focus in Air (mm)	14.8
Front/Rear Effective Dia.	Ø35.0mm Ø15.5mm
Mount	C-Mount
Filter Size (mm)	M40.5XP0.5
Size (mm)	Ø47.5X48
Weight (g)	200
Temperature Range	-10°C ~ 45°C