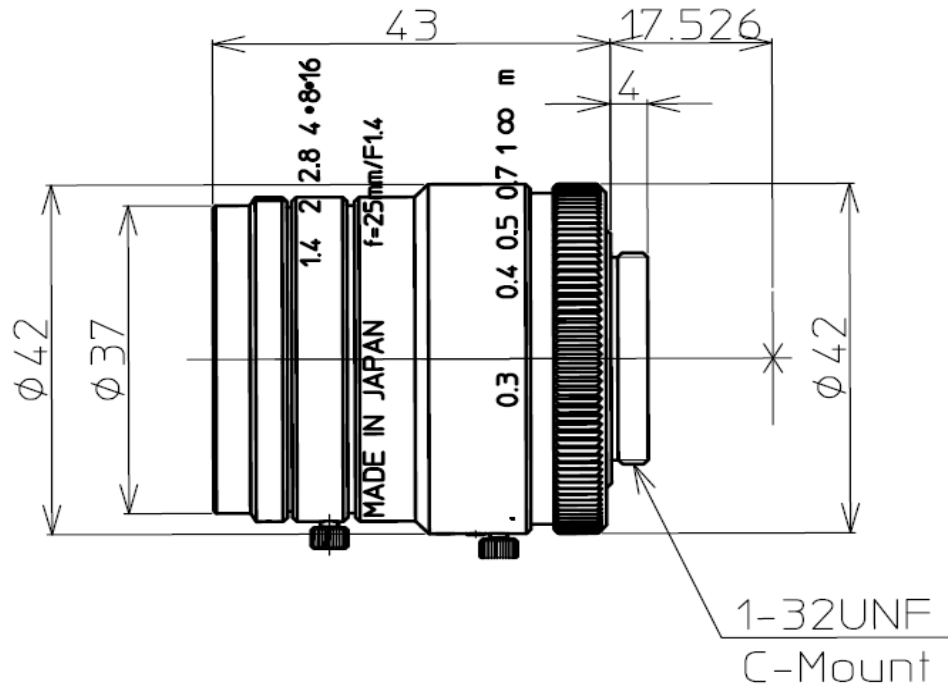




## LM25HC



Model	LM25HC
Focal Length (mm)	25
Image Size (mm)	1" ( $\phi 16$ )
Iris Range (F-Stop)	F1.4~F16
Focusing Range (m)	0.3~ $\infty$
Angle of View (degrees)	29.3X22.0
1"	
2/3"	20.2X15.1
1/2"	14.7X11.0
Resolution (Center, Corner)	120lp/mm, 80lp/mm
Distortion (TV)	-1.0%
Flange Back in Air (mm)	17.526
Back Focus in Air (mm)	16.5
Front/Rear Effective Dia.	$\phi 21.0$ mm $\phi 19.4$ mm
Mount	C-Mount
Filter Size (mm)	M35.5XP0.5
Size (mm)	$\phi 42$ X43
Weight (g)	125
Temperature Range	-10°C ~ 45°C