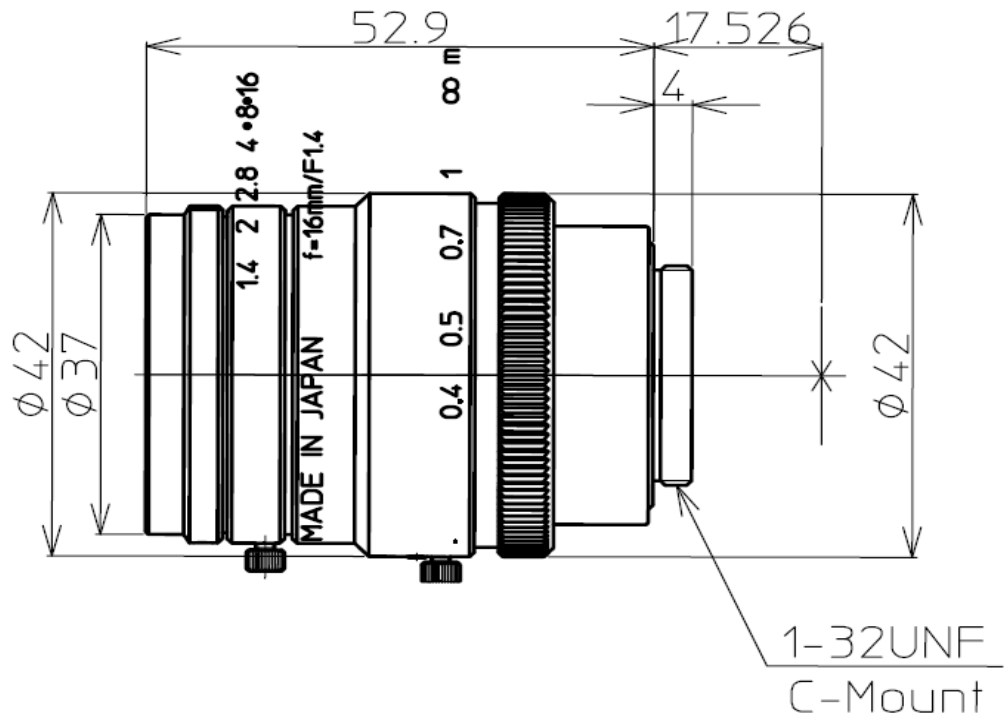




LM16HC



Model	LM16HC
Focal Length (mm)	16
Image Size (mm)	1" (Ø16)
Iris Range (F-Stop)	F1.4~F16
Focusing Range (m)	0.3~∞
Angle of View (degrees)	1" 44.3X33.6 2/3" 30.8X23.2 1/2" 22.5X16.9
Resolution (Center, Corner)	120lp/mm, 80lp/mm
Distortion (TV)	-1.0%
Flange Back in Air (mm)	17.526
Back Focus in Air (mm)	12.6
Front/Rear Effective Dia.	Ø21.5mm Ø18.8mm
Mount	C-Mount
Filter Size (mm)	M35.5XP0.5
Size (mm)	Ø42X52.9
Weight (g)	140
Temperature Range	-10°C ~ 45°C